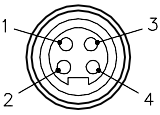
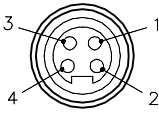
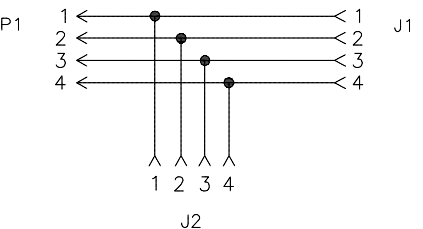


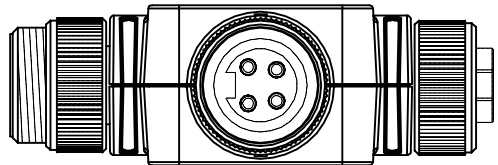
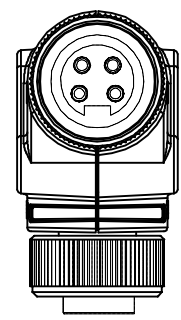
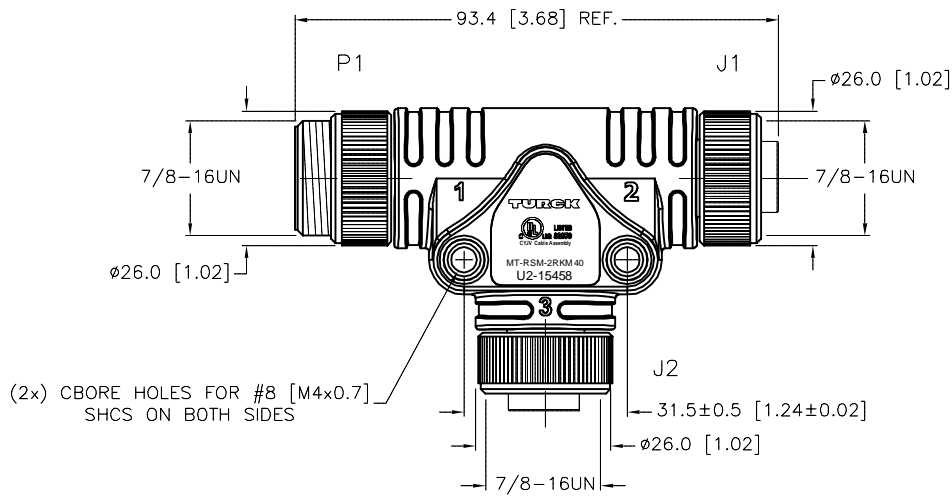
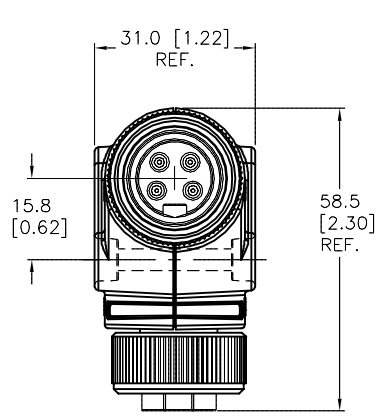
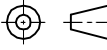


MALE END VIEW (P1)	FEMALE END VIEW (J1-J2)	WIRING DIAGRAM	SPECIFICATIONS																	
			<table border="1"> <tr><td>CONTACT CARRIER MATERIAL/COLOR</td><td>TPU/BLACK</td></tr> <tr><td>MOLDED BODY MATERIAL/COLOR</td><td>NYLON/BLACK</td></tr> <tr><td>CONTACT MATERIAL/PLATING</td><td>BRASS/GOLD</td></tr> <tr><td>COUPLING NUT MATERIAL/PLATING</td><td>BRASS/NICKEL</td></tr> <tr><td>RATED CURRENT [A]</td><td>10.0 A</td></tr> <tr><td>RATED VOLTAGE [V]</td><td>600 V</td></tr> <tr><td>TEMPERATURE RANGE</td><td>-40°C TO +105°C (-40°F TO +221°F)</td></tr> <tr><td>PROTECTION CLASS</td><td>MEETS NEMA 1,3,4,6P AND IEC IP67</td></tr> </table>	CONTACT CARRIER MATERIAL/COLOR	TPU/BLACK	MOLDED BODY MATERIAL/COLOR	NYLON/BLACK	CONTACT MATERIAL/PLATING	BRASS/GOLD	COUPLING NUT MATERIAL/PLATING	BRASS/NICKEL	RATED CURRENT [A]	10.0 A	RATED VOLTAGE [V]	600 V	TEMPERATURE RANGE	-40°C TO +105°C (-40°F TO +221°F)	PROTECTION CLASS	MEETS NEMA 1,3,4,6P AND IEC IP67	
CONTACT CARRIER MATERIAL/COLOR	TPU/BLACK																			
MOLDED BODY MATERIAL/COLOR	NYLON/BLACK																			
CONTACT MATERIAL/PLATING	BRASS/GOLD																			
COUPLING NUT MATERIAL/PLATING	BRASS/NICKEL																			
RATED CURRENT [A]	10.0 A																			
RATED VOLTAGE [V]	600 V																			
TEMPERATURE RANGE	-40°C TO +105°C (-40°F TO +221°F)																			
PROTECTION CLASS	MEETS NEMA 1,3,4,6P AND IEC IP67																			
																				



SOURCE DRAWING - FOR REFERENCE ONLY

RELATED DOCUMENTS 1. 2. 3. 4.	3RD ANGLE PROJECTION 	THIS DRAWING IS CONFIDENTIAL AND THE PROPERTY OF TURCK INC. USE OF THIS DOCUMENT WITHOUT WRITTEN PERMISSION IS PROHIBITED.	3000 CAMPUS DRIVE MINNEAPOLIS, MN 55441 1-800-544-7769 (763) 553-7300 (763) 553-0708 fax www.turck.us	
MATERIAL SEE SPECIFICATIONS FINISH SEE SPECIFICATIONS	ALL DIMENSIONS DISPLAYED ON THIS DRAWING ARE FOR REFERENCE ONLY CONTACT TURCK FOR MORE INFORMATION	DRFT RDS DATE 05/06/09 APVD SCALE 1=1.5 UNIT OF MEASUREMENT MILLIMETERS	DESCRIPTION MT-RSM-2RKM 40 IDENTIFICATION NO. U2-15458 REV E	
E UPDATE UL APPROVAL LOGO REV DESCRIPTION	RDS 05/30/19 BY DATE	75040 ECO NO.	DO NOT SCALE THIS DRAWING FILE: U2-15458 SHEET 1 OF 1	